

Addendum for IC-7000

Please note the following information in the IC-7000 instruction manual.

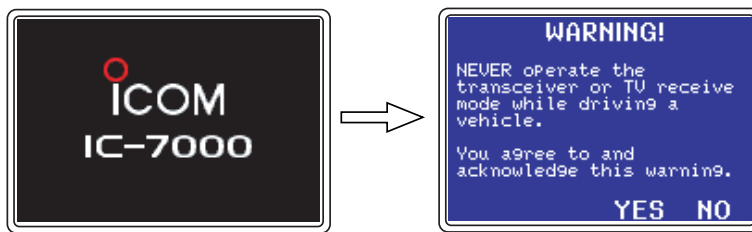
○ WARNING REGARDING TV OPERATION IN A VEHICLE

Never operate the transceiver or TV receive mode while driving a vehicle. Safe driving requires your full attention, and anything less may result in an accident. When operating the transceiver, you must stop the vehicle in a safe place (such as parking space). Some laws may prohibit use of the transceiver at all in a vehicle. Your agreement and acknowledgment these warning is required when each time you turn the power ON.

• Starting up the IC-7000

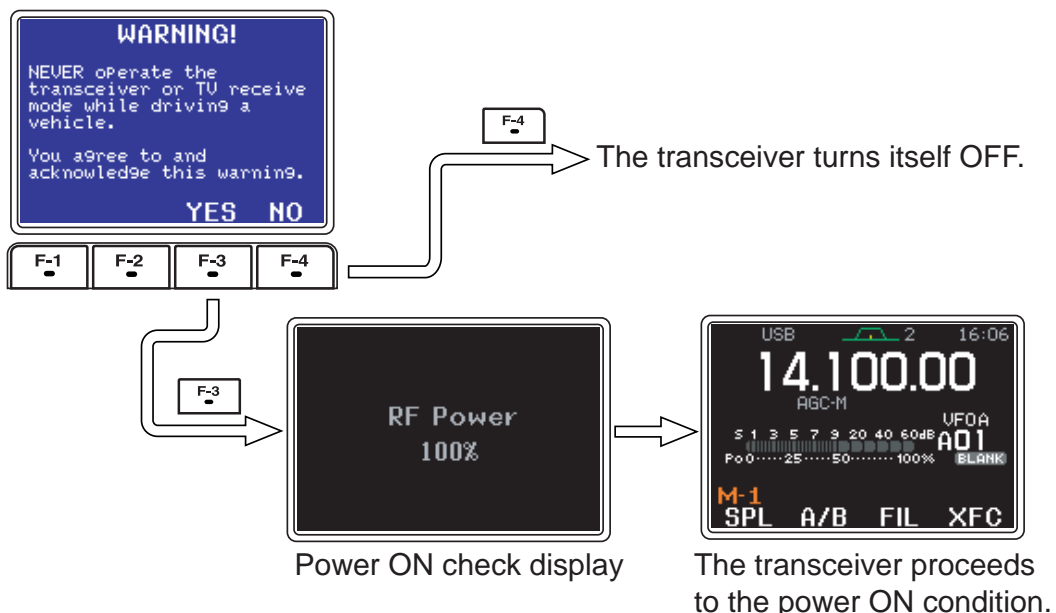
① Push [PWR] to turn power ON.

- Opening display and warning display appear.



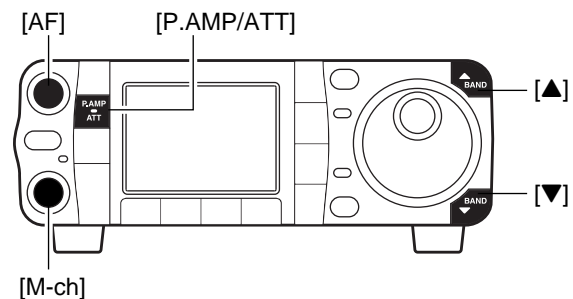
② Push [F-3 YES] or [F-4 NO] to select your answer.

- If you push [F-3 YES], the transceiver will power ON completely.
- If you push [F-4 NO], the transceiver will shut down (Power OFF).



■ TV channel operation

- ① Push and hold **[AF(SET)]** for 1 sec. to turn the TV mode ON.
 - Push and hold **[AF(SET)]** for 1 sec again to exit the TV mode.
- ② Rotate **[M-ch]** (inner) control to select the desired TV channel.
 - **[▲(BAND)]**/**[▼(BAND)]** keys also select the TV channel.
 - The popup indicator appears and shows the selected channel number. (The popup indicator can be turned OFF in the display set mode.—Instruction manual p.126)
- ③ Push **[P.AMP/ATT]** momentarily to turn the preamp ON and OFF; push and hold for 1 sec. to turn the 12 dB attenuator ON.
 - The popup indicator, "**P.AMP**" or "**ATT**," appears when the preamp is ON or attenuator is ON, respectively. (The popup indicator can be turned OFF in the display set mode. p. 128)
 - Each channel can store the preamp or attenuator ON/OFF conditions independently.
 - Only one of these functions can be activated at a time.
- ④ Rotate **[AF]** to set a suitable audio level.



WARNING! NEVER operate the transceiver or TV receive mode while driving a vehicle. Safe driving requires your full attention, and anything less may result in an accident.

◇ Convenient functions for receive

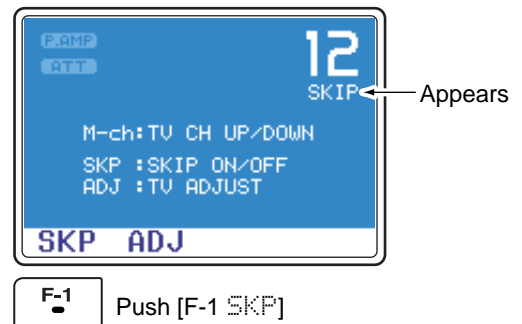
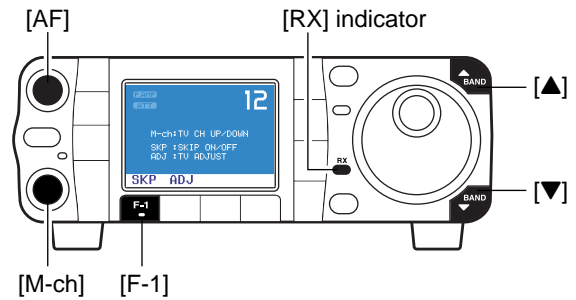
- **Preamp and attenuator** (Instruction manual p. 72)
 - ➔ Push **[P.AMP/ATT]** momentarily to turn the preamp ON or OFF.
 - "**P.AMP**" appears when the preamp is set to ON.
 - ➔ Push **[P.AMP/ATT]** for 1 sec. to set the attenuator ON.
 - Push **[P.AMP/ATT]** momentarily to turn the attenuator OFF.
 - "**ATT**" appears when the attenuator is set to ON.

◇ Skip channel setting

Unwanted channels can be skipped for rapid selection, etc.

- ① Select the TV mode.
 - Push and hold **[AF(SET)]** for 1 sec.
- ② Push **[AF(SET)]** momentarily to turn the blue-background display ON.
- ③ Rotate **[M-ch]** (inner) control to select the desired TV channel to be a skipped.
 - **[▲(BAND)]**/**[▼(BAND)]** keys also select the TV channel.
- ④ Push **[F-1 SKP]** to turn the channel skip setting ON.
 - “**SKIP**” appears and **[RX]** indicator turns OFF.
 - Push **[F-1 SKP]** again to cancel the skip setting.
- ⑤ Repeat steps ③, ④ to set the other channels, if desired.
- ⑥ Push **[AF(SET)]** momentarily to turn the blue-background display OFF.

/// All channels (including skip channels) can be selected on the blue-background display.



◇ Channel frequency adjustment

- ① Select the TV mode.
 - Push and hold **[AF(SET)]** for 1 sec.
- ② Push **[AF(SET)]** momentarily to turn the blue-back-ground display ON.
- ③ Rotate **[M-ch]** (inner) control to select the desired TV channel.
 - **[▲(BAND)]**/**[▼(BAND)]** keys also select the TV channel.
- ④ Push **[F-2 ADJ]** to enter the channel frequency set mode.
 - The selected channel frequency appears and **[RX]** indicator blinks.
 - Push **[TS]** to toggle the tuning step from 1 kHz and 250 kHz.
 - Push **[▼(MENU/GRP)]** to exit the channel frequency set mode.
- ⑤ Rotate **[DIAL]** to adjust the channel frequency.
 - “Push **[SET]**” blinks.
 - Push **[▼(MENU/GRP)]** to cancel the setting.
- ⑥ Push **[F-3 SET]** to set the channel frequency.
 - Push **[F-4 DEF]** for 1 sec. to return to the default frequency.
- ⑦ Push **[▼(MENU/GRP)]** to exit the channel frequency set mode.
 - The channel frequency disappears and **[RX]** indicator stops blinking.
- ⑧ Repeat steps ③ to ⑦ to set the another channels, if desired.
- ⑨ Push **[AF(SET)]** momentarily to turn the blue-back-ground display OFF.

